

SLUDGE FROM CLARIFIER & DIRTY BACKWASH WATER FROM FILTER WILL BE DISPOSED TO NEARBY DRAIN

"Drawings Vetted"



*Shahmed*  
Asst. Executive Engineer  
TDWSP Asifabad

*Wdy*  
Dy. Executive Engineer  
TDWSP Asifabad

*nae*  
Executive Engineer  
TDWSP Asifabad



"APPROVED"  
SE, TDWSP  
NIRMAL

NOTES :

- 1. ALL DIMENSIONS ARE IN METRES UNLESS OTHERWISE SPECIFIED

LEGEND:

- FGL : FINISHED GROUND LEVEL
- FFL : FINISHED FLOOR LEVEL
- BOS : BOTTOM OF SLAB
- TWL : TOP WATER LEVEL
- TOW : TOP OF WALL
- HP : HIGH POINT
- LP : LOW POINT

REFERENCE DOCUMENT/DRAWINGS :

- 1. CONTRACT DOCUMENT OF KOMARAMBHEEM-ASIFABAD SEGMENT IN ADILABAD DISTRICT.
- 2. BASIC ENGINEERING PACKAGE FOR WATER TREATMENT PLANT DOC.NO. LE150883-P-WS-WT-BE-2001
- 3. LAYOUT PLAN FOR WATER TREATMENT PLANT DWG.NO. LE150883-P-WS-WT-PP-2002

B	AS PER CONSULTANT COMMENTS MAIL DATED : 25.01.2016	SRV/28.01.16	ASA/28.01.16	VVK/28.01.16	MBS/BRJ/28.01.16
A	FOR APPROVAL	SRV	ASA	VVK	BRJ
REV.NO.	DESCRIPTION	DESIGNED	DRAWN	CHECKED	APPROVED

**L&T Construction**  
Water, Smart World & Communication.

CLIENT: RURAL WATER SUPPLY AND SANITATION DEPARTMENT, TELANGANA. CONSULTANT:

PROJECT: PROVIDING DRINKING WATER TO HABITATIONS IN KOMARAMBHEEM ASIFABAD SEGMENT IN ADILABAD DISTRICT ( 30 MLD WTP)

SUPPLIER/CONTRACTOR: **L&T Construction**  
Water & Effluent Treatment SBG

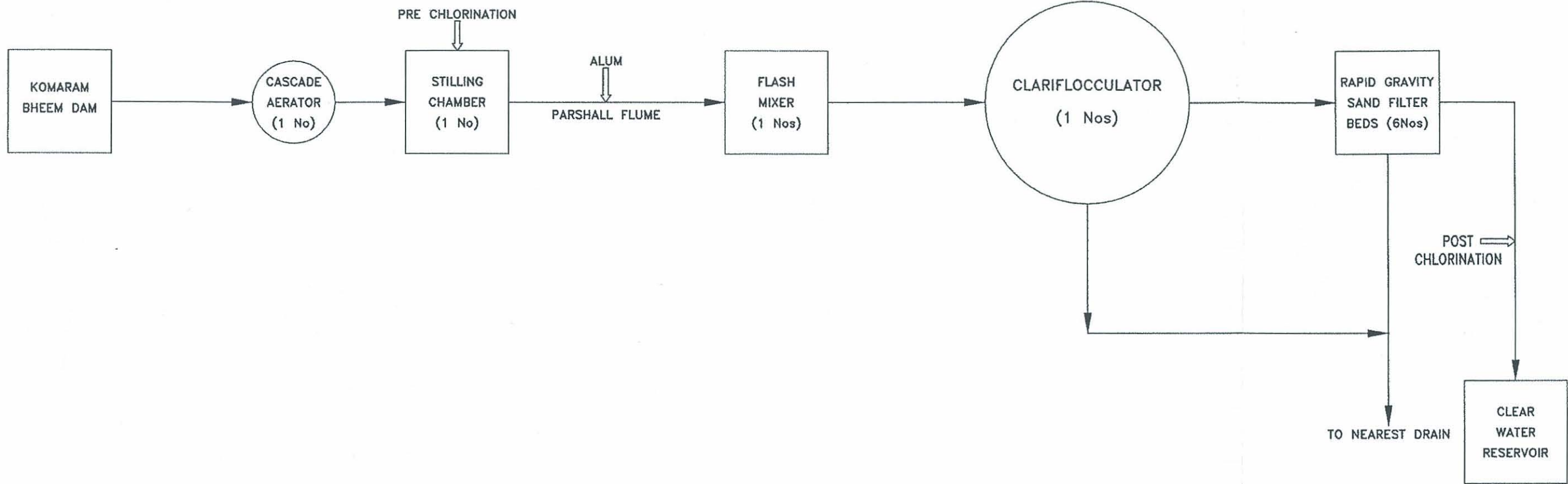
JOB No:	LE150883	TITLE:	HYDRAULIC FLOW DIAGRAM FOR WTP [ 30 MLD ]	SCALE:	NTS
NAME	SIGN	DATE		PROJECTION:	
DSGN	SRV	SRV	29.12.15	SIZE	REV.
DRWN	ASA	ASA	29.12.15	A2	B
CHKD	VVK	VVK	29.12.15		
APPD	BRJ	BRJ	30.12.15		

CHECKED BY: CIVIL & STRUCTURAL, MECHANICAL, ELECTRICAL, INSTRUMENTATION. SIGN: [Signatures]. DATE: 28-01-2016, 28/1/16.

DRAWING No. LE150883-P-WS-WT-HF-2003

RELEASED FOR:  PRELIMINARY  TENDER  INFORMATION  APPROVAL  CONSTRUCTION

This drawing is the property of L&T Construction and must not be passed on to any person or body not authorised by us to receive it nor be copied or otherwise made use either in full or in part by such person or body without our prior permission in writing



"Drawings Vetted"



*[Signature]*  
Asst. Executive Engineer  
TDWSP Asifabad

*[Signature]*  
Dy. Executive Engineer  
TDWSP Asifabad

*[Signature]*  
Executive Engineer  
TDWSP Asifabad

**"APPROVED"**

**SE, TDWSP  
NIKIMAL**

**REFERENCE DOCUMENT/DRAWINGS :**

1. CONTRACT DOCUMENT OF KOMARAMBHEEM-ASIFABAD SEGMENT IN ADILABAD DISTRICT.
2. BASIC ENGINEERING PACKAGE FOR WATER TREATMENT PLANT DOC.NO. LE150883-P-WS-WT-BE-2001



A	FOR APPROVAL	SRV 28.12.15	ASA 28.12.15	VVK 28.12.15	BRJ 30.12.15
REV.NO.	DESCRIPTION	DESIGNED	DRAWN	CHECKED	APPROVED

REVISIONS

<b>L&amp;T Construction</b> Water, Smart World & Communication.			
CLIENT : RURAL WATER SUPPLY AND SANITATION DEPARTMENT, TELANGANA.	CONSULTANT :		
PROJECT : PROVIDING DRINKING WATER TO HABITATIONS IN KOMARAMBHEEM ASIFABAD SEGMENT IN ADILABAD DISTRICT ( 30 MLD WTP )			
SUPPLIER/CONTRACTOR : <b>L&amp;T Construction</b> Water & Effluent Treatment SBG			
JOB No : LE150883	TITLE : PROCESS FLOW DIAGRAM OF WTP [ 30 MLD ]		
NAME	SIGN	DATE	SCALE
DSGN	SRV	28.12.15	NTS
DRWN	ASA	28.12.15	PROJECTION
CHKD	VVK	28.12.15	
APPD	BRJ	30.12.15	
CHECKED BY	SIGN	DATE	SIZE
CIVIL & STRUCTURAL			A3
MECHANICAL			REV.
ELECTRICAL			A
INSTRUMENTATION			
DRAWING No. LE150883-P-WS-WT-PF-2004			
RELEASED FOR <input type="checkbox"/> PRELIMINARY <input type="checkbox"/> TENDER <input type="checkbox"/> INFORMATION <input checked="" type="checkbox"/> APPROVAL <input type="checkbox"/> CONSTRUCTION			